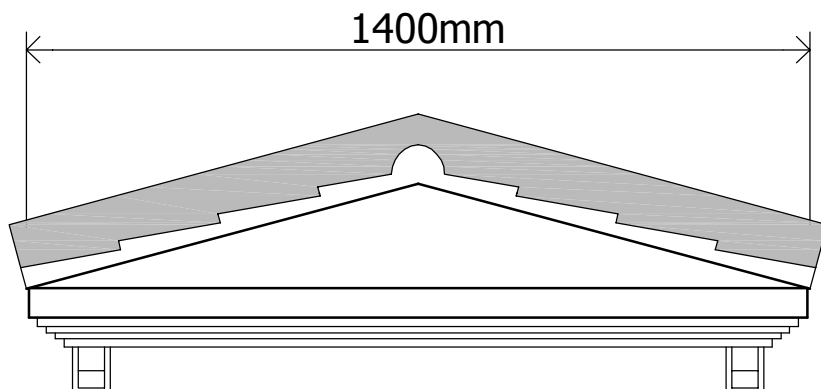
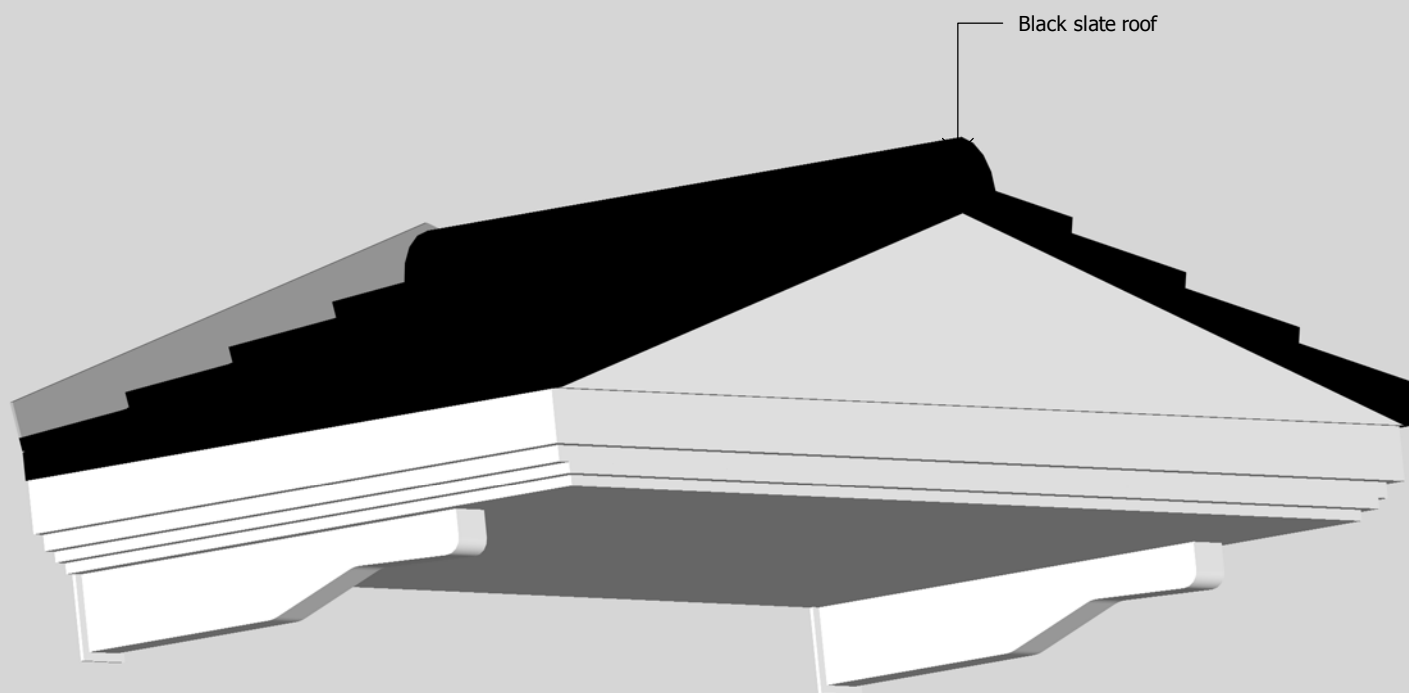


Side Elevation



Front Elevation



drawing. **Haymarket**

date. Feb 2006

drawing no. **060306-02**

scale. NTS

revision. -

**Wetherby Building Systems Ltd**

Kidglove Road, Golborne Enterprise Park  
 Golborne WA3 3GS  
 Tel: 01942 717100 Fax: 01942 717101  
 www.wbs-ltd.co.uk  
 enquiries: technical@wbs-ltd.co.uk

