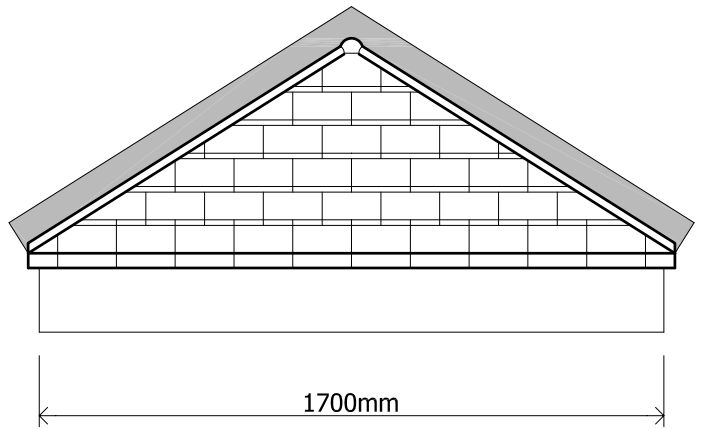
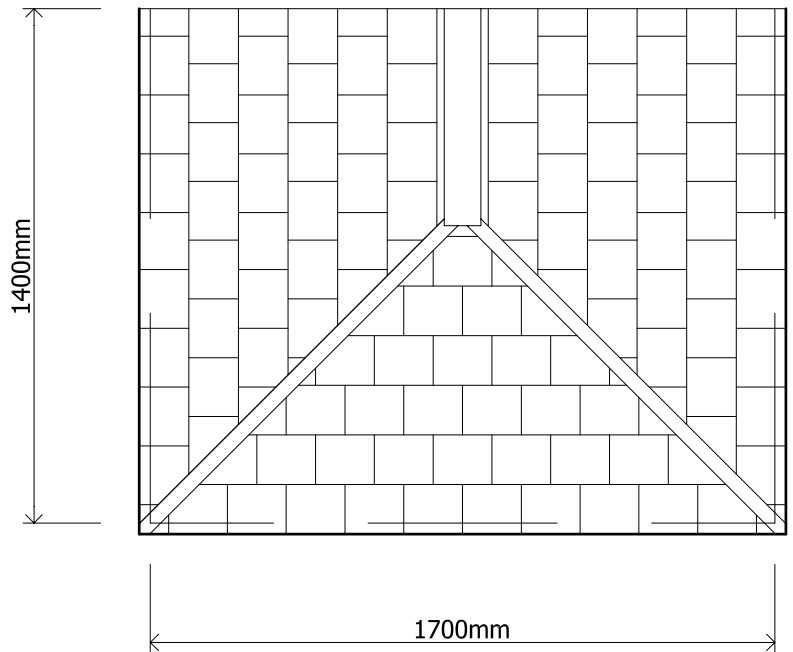


Side Elevation



Front Elevation



Plan

drawing. **Chepstow**

date. Jan 2006

scale. NTS

drawing no. **Canopies-15**

revision. -

**Wetherby Building Systems Ltd**

Kidglove Road, Golborne Enterprise Park  
 Golborne WA3 3GS  
 Tel: 01942 717100 Fax: 01942 717101  
 www.wbs-ltd.co.uk  
 enquiries: technical@wbs-ltd.co.uk

