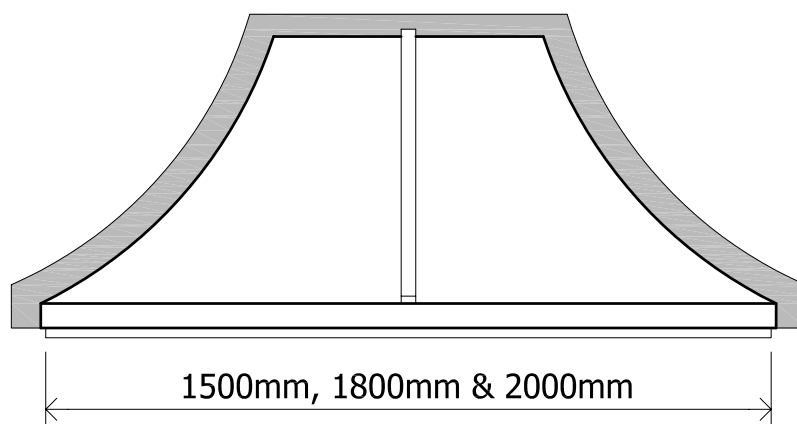


Side Elevation



Front Elevation

drawing. **Ascot Bay 90**

date. Jan 2006

drawing no. **Canopies-09**

scale. NTS

revision. -

**Wetherby Building Systems Ltd**

Kidglove Road, Golborne Enterprise Park  
 Golborne WA3 3GS  
 Tel: 01942 717100 Fax: 01942 717101  
 www.wbs-ltd.co.uk  
 enquiries: technical@wbs-ltd.co.uk

