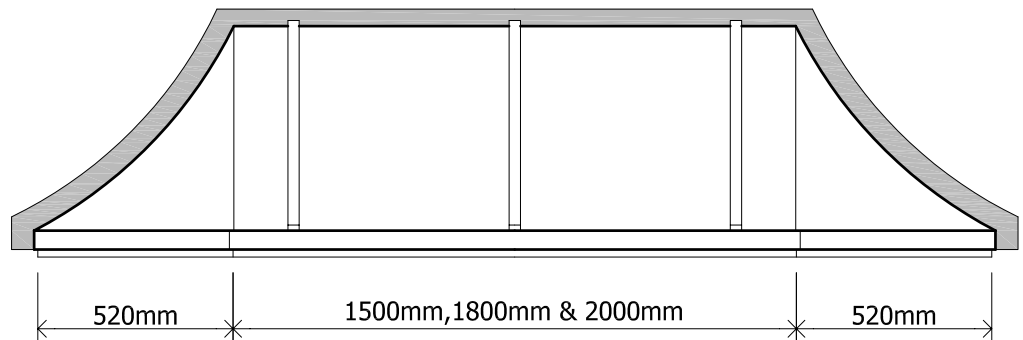
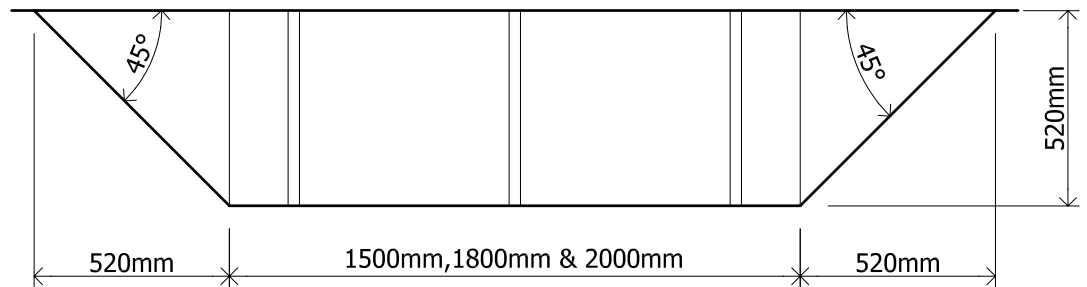


Side Elevation



Front Elevation



Plan

drawing. **Ascot Bay 45**

date. Jan 2006

drawing no. **Canopies-08**

scale. NTS

revision. -

Wetherby Building Systems Ltd

Kidglove Road, Golborne Enterprise Park
 Golborne WA3 3GS
 Tel: 01942 717100 Fax: 01942 717101
 www.wbs-ltd.co.uk
 enquiries: technical@wbs-ltd.co.uk

