

Metal stud frame by others  
with acoustic insulation

Joint in cement particle board sealed  
with acrylic sealant

Cement particle board by others

WBS Furring channel screw fixed  
through cement particle board into  
metal stud frame. Layout of furring  
channels to suit insulation boards  
(self tapping screw to one edge)

Approved insulation board fixing and  
washer screw fixed into WBS vertical  
furring channel

Approved insulation board thickness  
to suit client requirements  
(Insulant: Phenolic, EPS, Mineral Wool  
or Polyurethane)

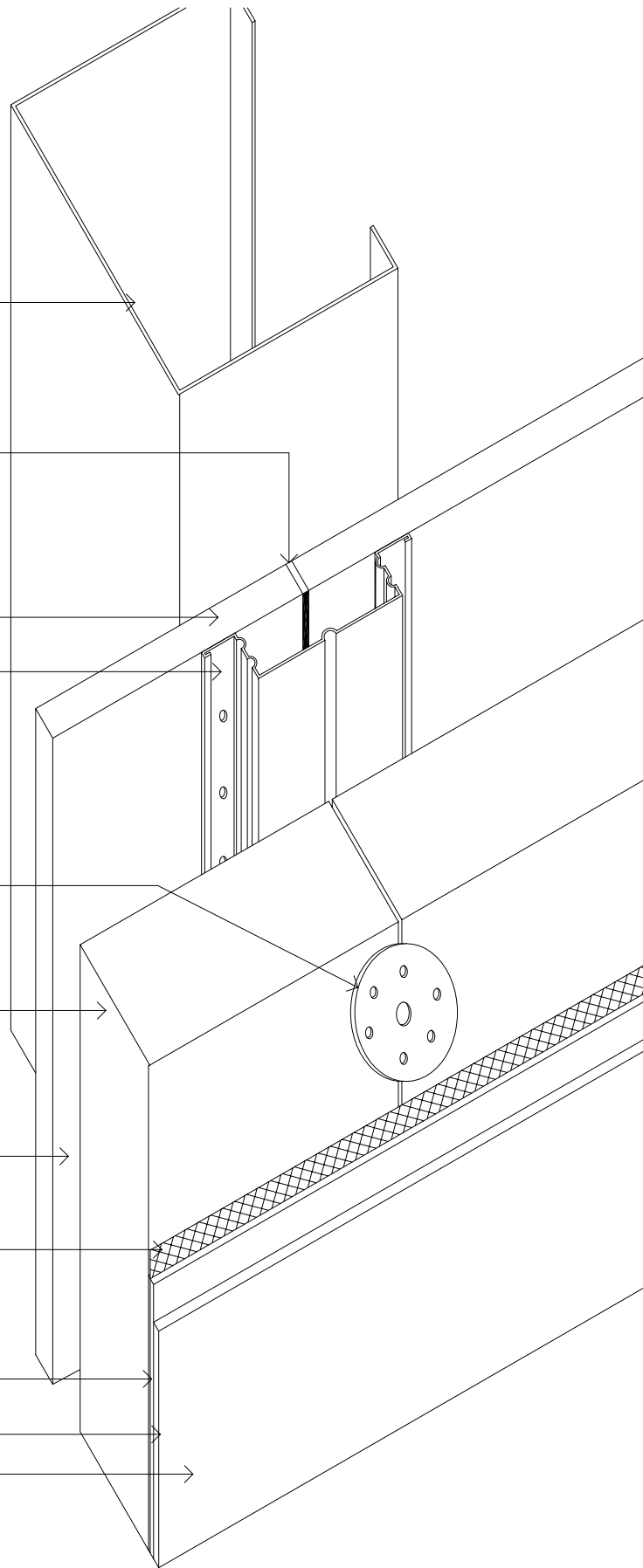
15mm 'cavity' behind the insulation  
boards

WBS alkali resistant glass fibre scrim  
bedded in WBS scrim adhesive

Levelling coat of WBS scrim adhesive

WBS silicone primer coat

WBS silicone finish coat



drawing. **Isometric - system build up**

date. August 2005

scale. nts

drawing no. **Epsitec-01**

revision. -

**Wetherby Building Systems Ltd**

Kidglove Road, Golborne Enterprise Park  
Golborne WA3 3GS  
Tel: 01942 717100 Fax: 01942 717101  
www.wbs-ltd.co.uk  
enquiries: technical@wbs-ltd.co.uk

